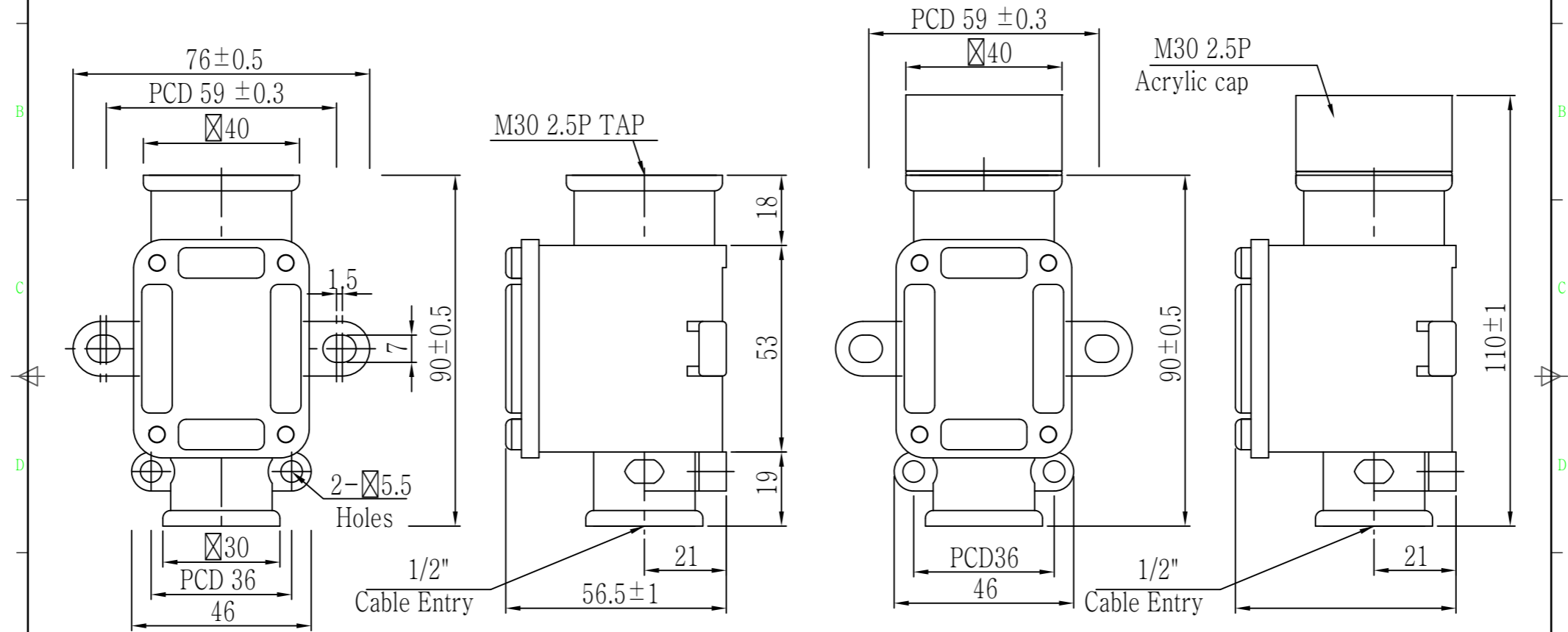


MARK	DATE	REVISION	REVISER	APP. BY
△				
△				
△				



NOTES)

1	SW2MS AL-S000	SW2MS AL	Bs & ..	1	-
Nr.	DWG. NO.	TITLE/NAME	MAT'L	QTY	REFERENCE
Y.H.JANG	-	ZZANGA	-	3	NOV. 18. 2011
TITLE					SCALE
SYE.C For Mairne & Heavy Duty L/S SW2MS AL					1/1
DWG. No.					EDITION SHEET
-					1 1/1

A3(420X297)