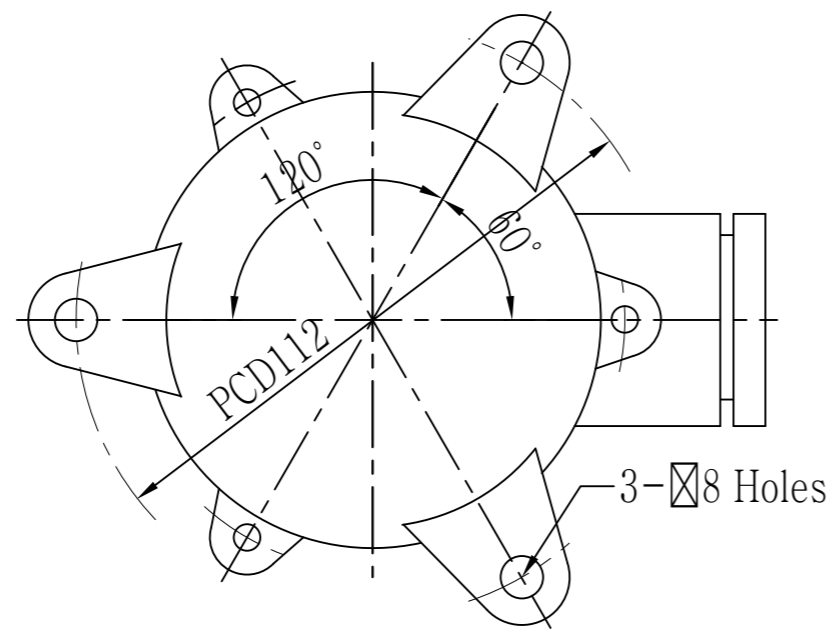
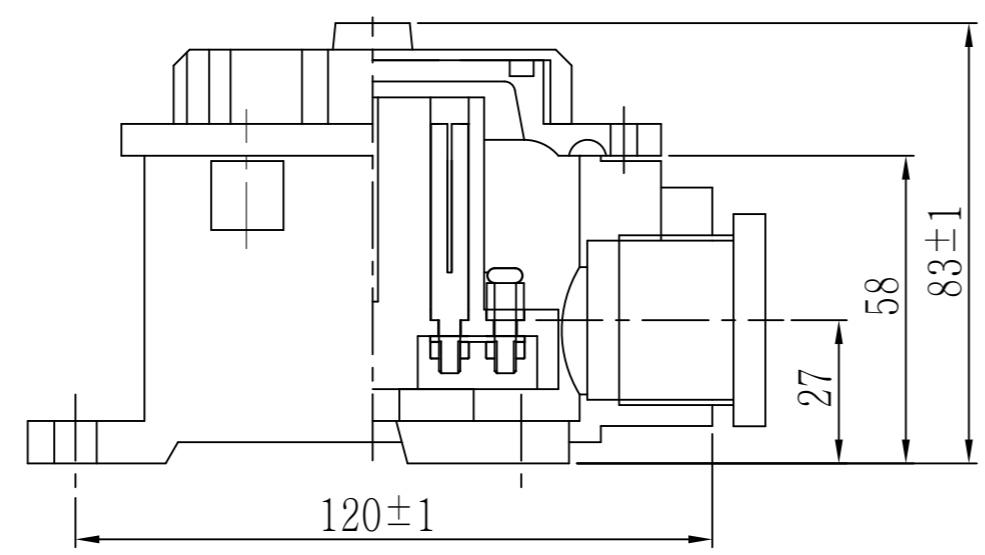
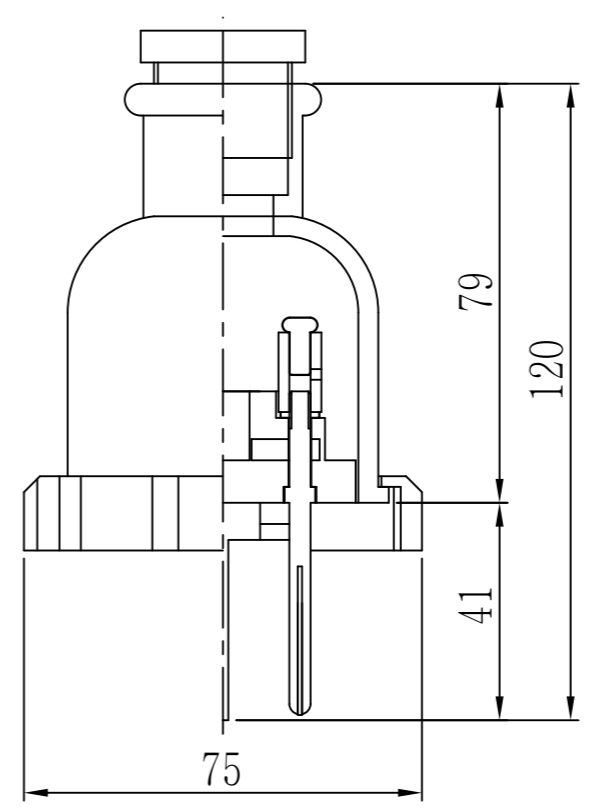


LZR-06



| MARK | DATE | REVISION | REVISER | APP. BY |
|------|------|----------|---------|---------|
| △ | | | | |
| △ | | | | |
| △ | | | | |

LZG-06



NOTES)

| | | | | | |
|-----------------------------------|--------------|------------|---------|-----|---------------|
| 1 | LZR/G06-S000 | LZR/G06 | Bs & .. | 1 | - |
| Nr. | DWG. NO. | TITLE/NAME | MAT'L | QTY | REFERENCE |
| Y.H.JANG | - | ZZANGA | - | 3 | NOV. 18. 2011 |
| TITLE | | | | | SCALE |
| SYE.C | | | | | 1/1 |
| 06 OUT DWG. | | | | | |
| For Mairne & Heavy Duty L/S LZR/G | | | | | |
| DWG. Nr. | | | | | EDITION SHEET |
| - | | | | | 1 1/1 |