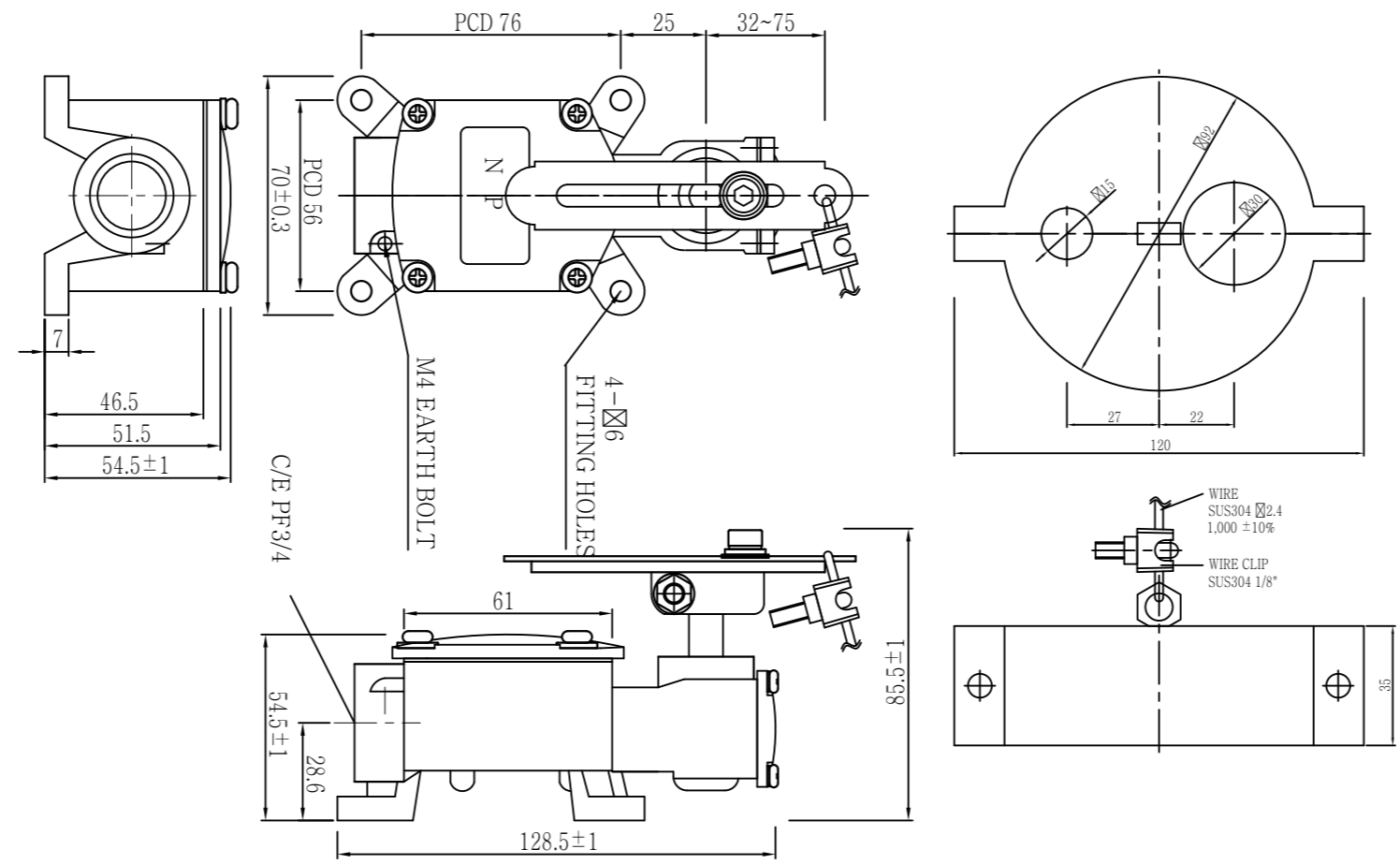


MARK	DATE	REVISION	REVISER	APP. BY
△				
△				
△				



NOTES)

1	LZ2007 W-S001	LZ2007 W	Bs & ..	1	-
Nr.	DWG. NO.	TITLE/NAME	MAT'L	QTY	REFERENCE
DSND BY	CHKD BY	CHKD BY	APRV BY	VIEW	DATE
Y.HJANG	-	ZZANGA	-	3	JUL. 20. 2022
TITLE					SCALE
SYE.C					1/1
W OUT DWG.					
For Mairne & Heavy Duty L/S LZ2007					
DWG. Nr.				EDITION	SHEET
LZ2007 W - S001				1	1/1

A3(420X297)